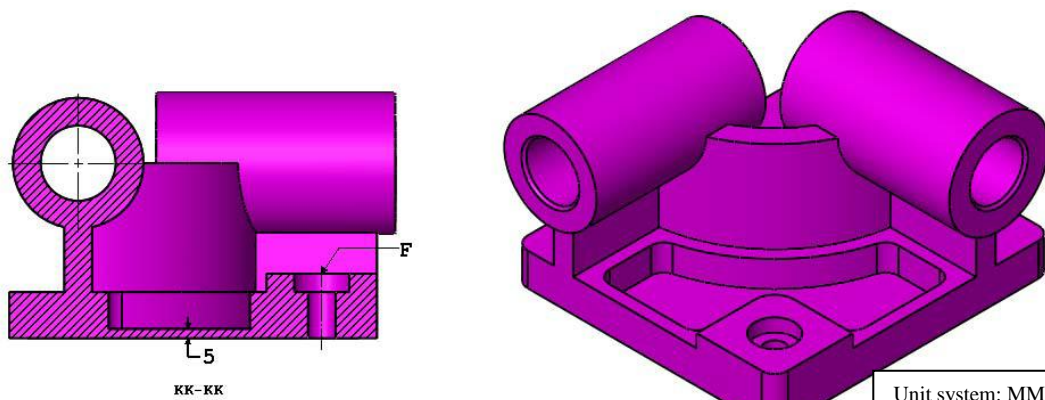
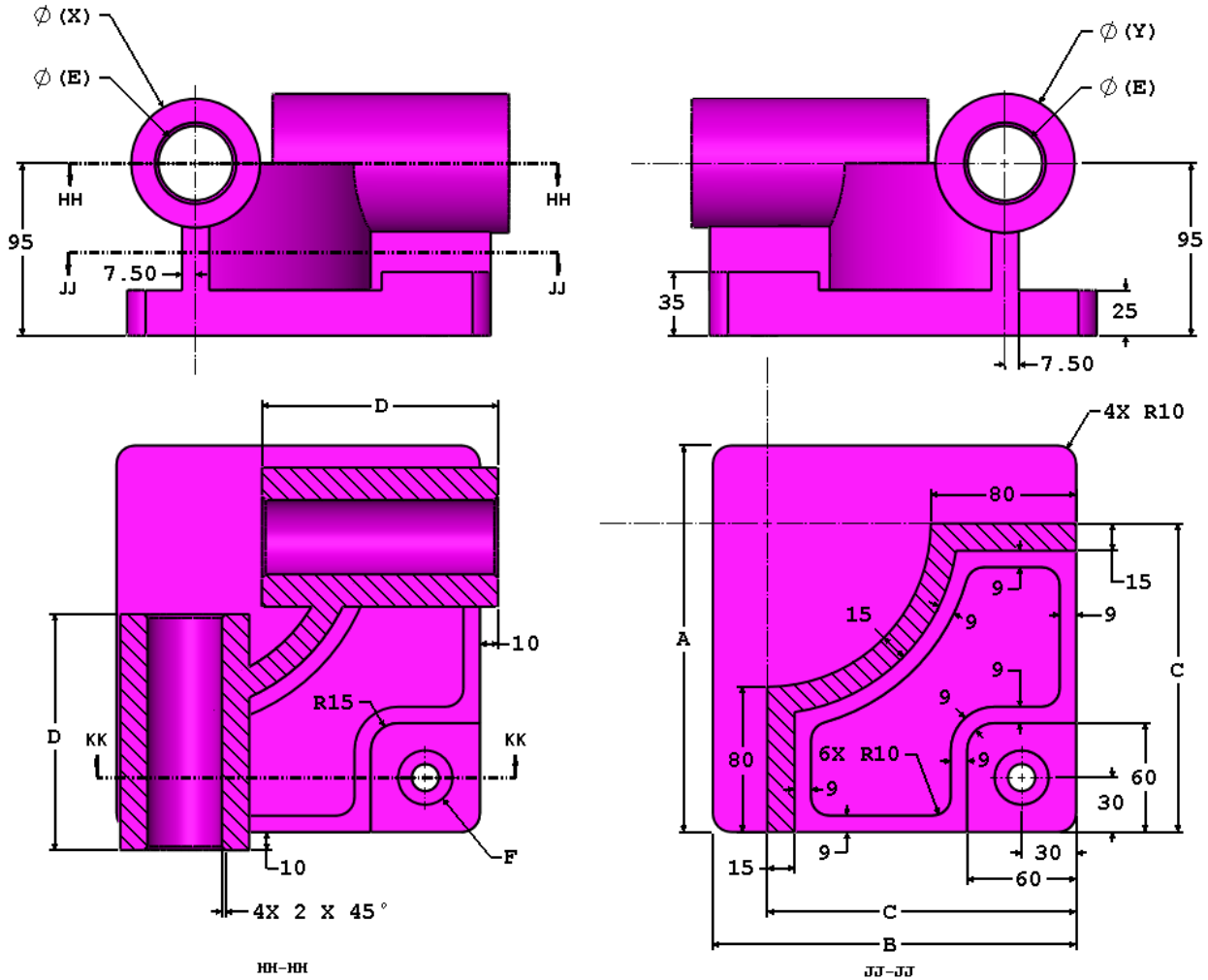


*Hint #1: The dimensions that are to be linked or updated and are variable will be labelled with letters. Any dimensions that are simple value changes from one stage to another will be circled in the images.*

*Hint #2: To save the most time, make use of linked dimensional values and equations.*



Unit system: MMGS (millimeter, gram, second)  
 Decimal places: 2  
 Part origin: Arbitrary  
 Material: Alloy Steel  
 Density = 0.0077 g/mm<sup>3</sup>  
 All holes through all unless shown otherwise